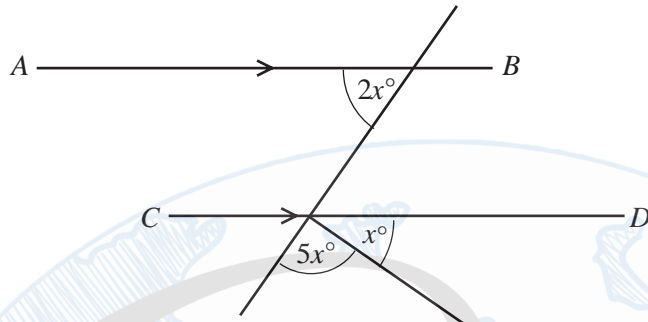




Angle Pairs

www.Q8Maths.com

9



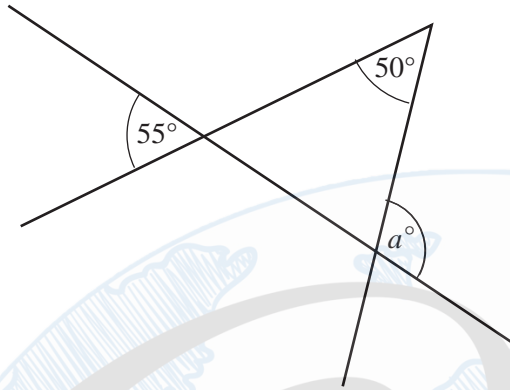
NOT TO
SCALE

AB is parallel to *CD*.
Calculate the value of x

Answer $x =$ [3]

www.Q8Maths.com

4

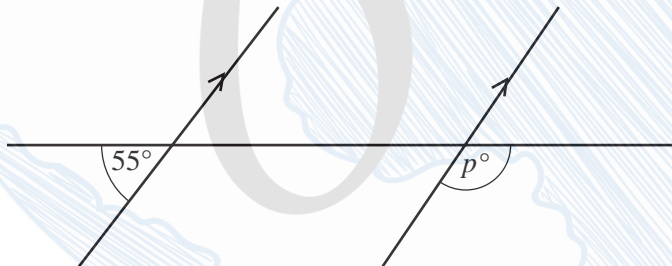


NOT TO SCALE

Use the information in the diagram to find the value of a .

Answer $a = \dots\dots\dots$ [2]

3

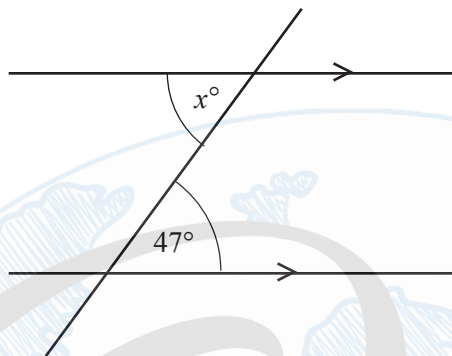


NOT TO SCALE

Find the value of p .

www.Q8Maths.com Answer $p = \dots\dots\dots$ [2]

18 (a)

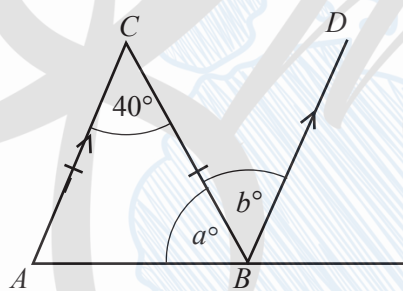


NOT TO SCALE

Find the value of x .

$x = \dots\dots\dots$ [1]

9



NOT TO SCALE

Triangle ABC is isosceles and AC is parallel to BD .

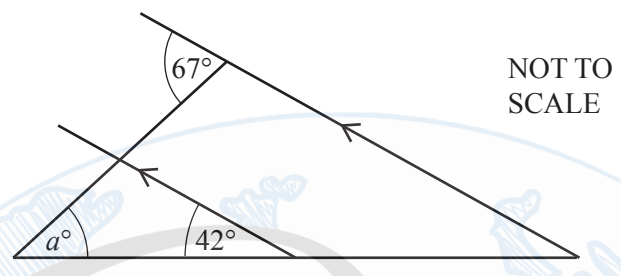
Find the value of a and the value of b .

www.Q8Maths.com

$a = \dots\dots\dots$

$b = \dots\dots\dots$ [2]

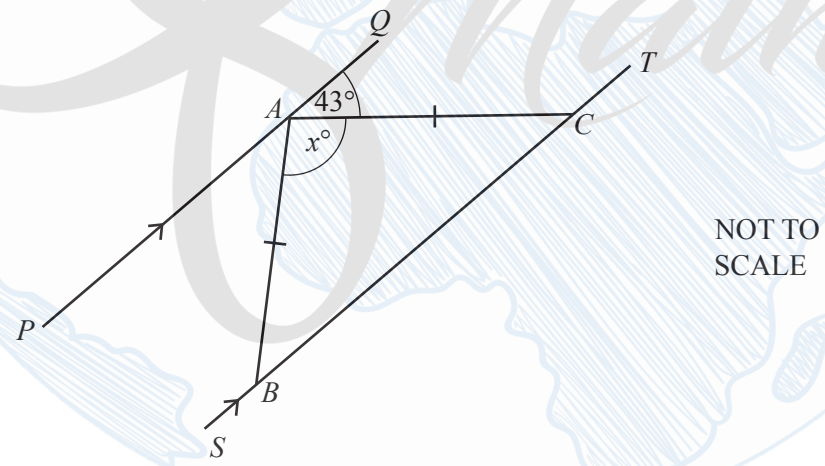
2



Find the value of a .

$a = \dots\dots\dots [2]$

5



The diagram shows two parallel lines PAQ and $SBCT$.
 $AB = AC$ and angle $QAC = 43^\circ$.

Find the value of x .

$x = \dots\dots\dots [2]$